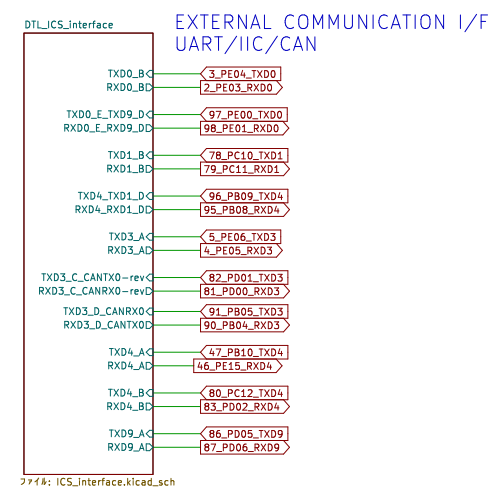
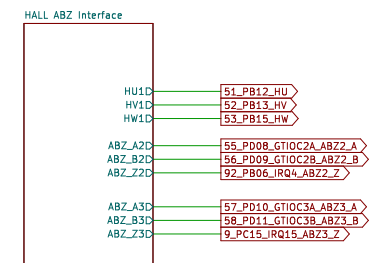


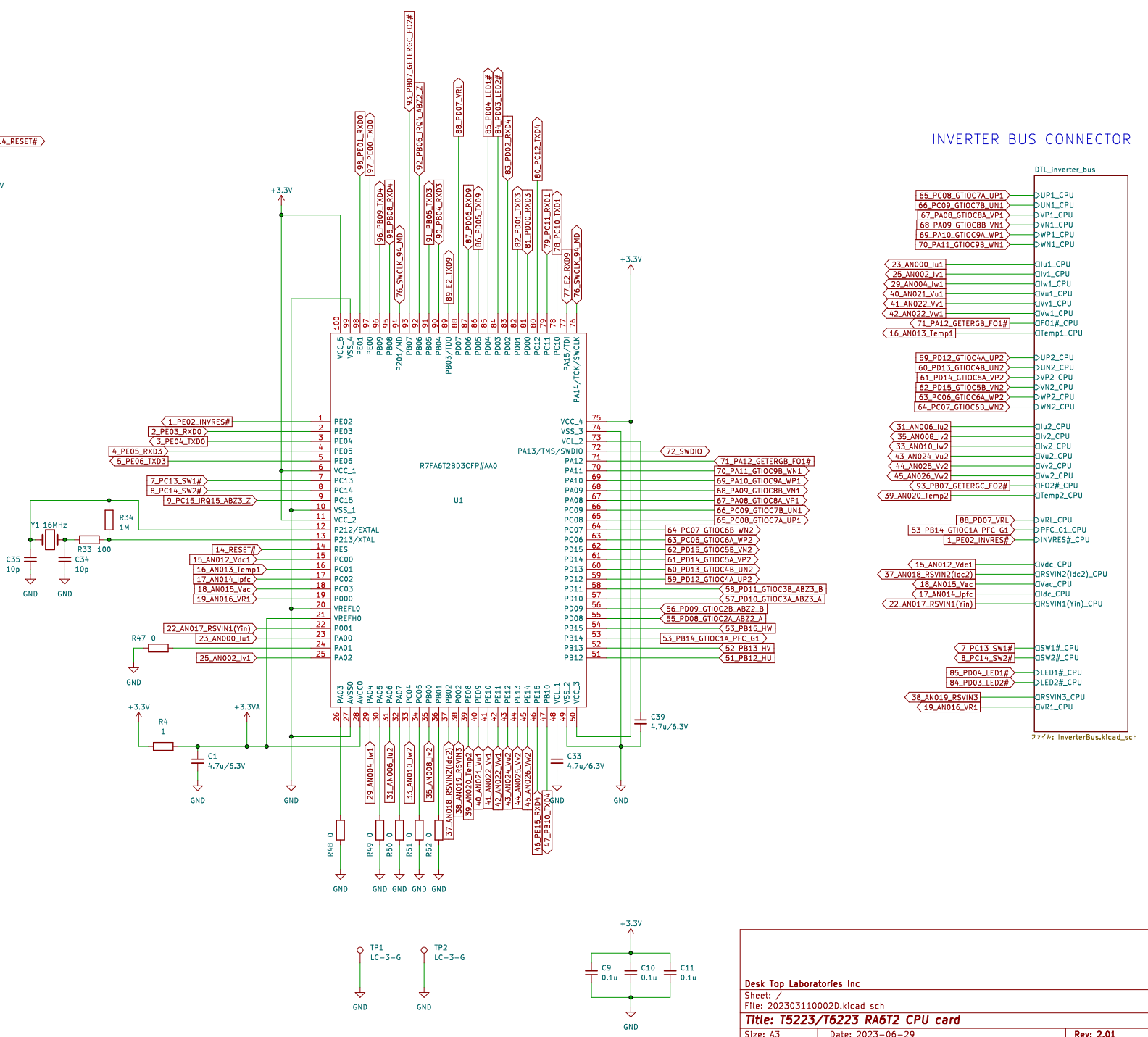
RESET Switch



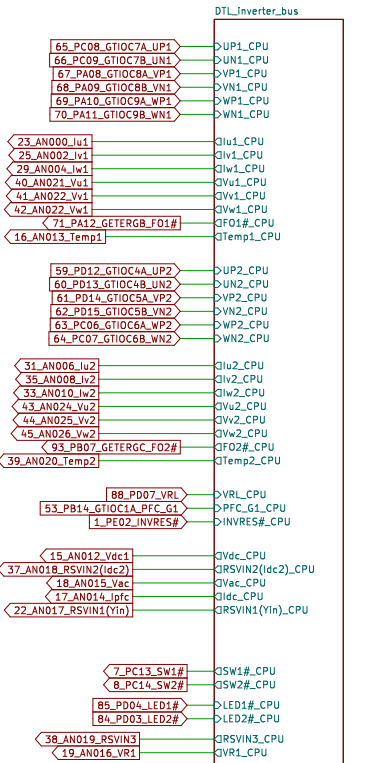
EXTERNAL COMMUNICATION I/F
UART/IIC/CAN



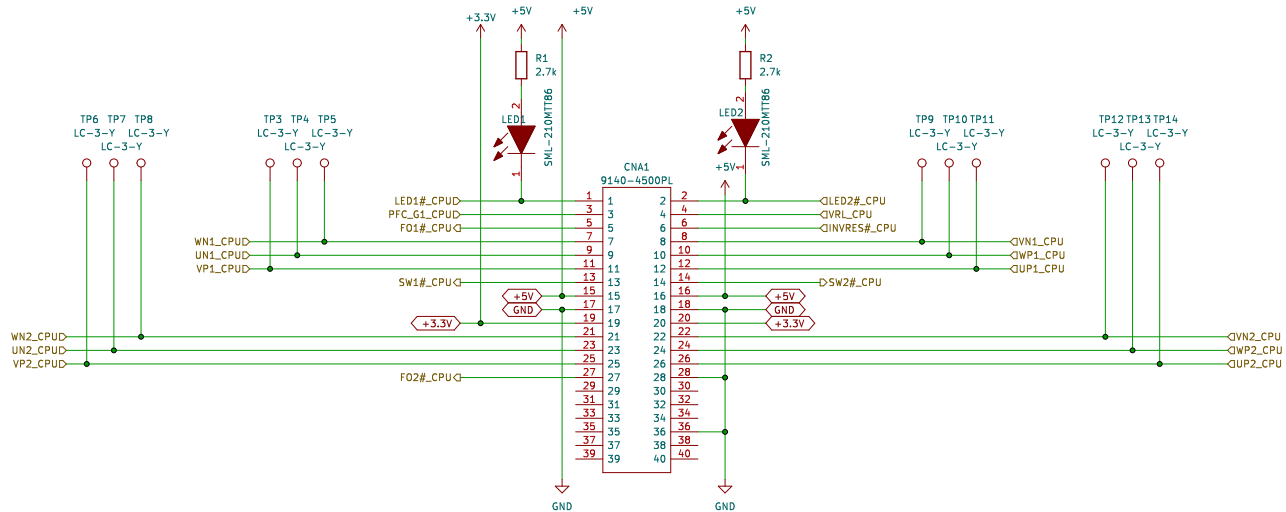
HALL ABZ Interface



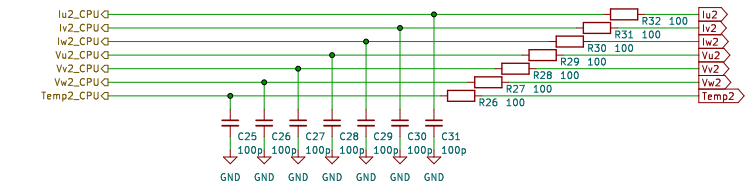
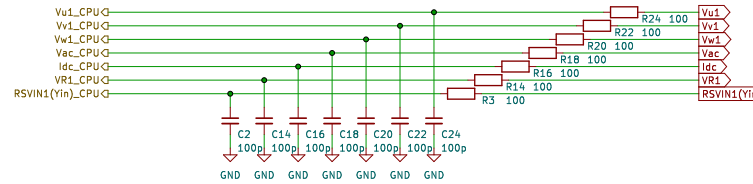
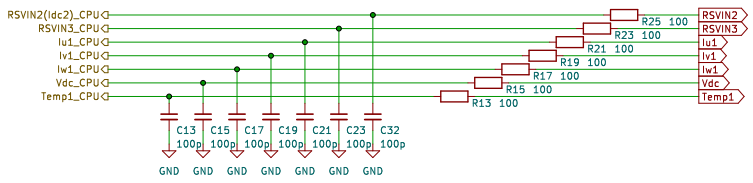
INVERTER BUS CONNECTOR



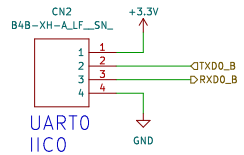
DTL_Inverter_bus



- 1:LED1#
- 2:LED2#
- 3:PFC_G1
- 4:VRL
- 5:FO#
- 6:INVRES#
- 7:WMI
- 8:VNI
- 9:UM1
- 10:WPI
- 11:WPI
- 12:UP1
- 13:SW1#
- 14:SW2#
- 15:5V
- 16:5V
- 17:GND
- 18:GND
- 19:3.3V
- 20:3.3V
- 21:WN2
- 22:WN2
- 23:WN2
- 24:WP2
- 25:WP2
- 26:UP2
- 27:FO2#
- 28:GND
- 29:WNI
- 30:WNI
- 31:UN3
- 32:WPI
- 33:WPI
- 34:UP3
- 35:FO3#
- 36:GND
- 37:RSV5
- 38:RSV6
- 39:RSV7
- 40:RSV8

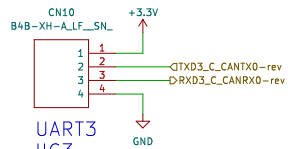


- 1:AVCC
- 2:AVCC
- 3:RSVIN2
- 4:RSVIN3
- 5:Iu1
- 6:Iv1
- 7:Vw1
- 8:Vw1
- 9:Vtemp
- 10:Vu1
- 11:Iv1
- 12:Vw1
- 13:Vdc
- 14:Iu1
- 15:Vr1
- 16:Vr1
- 17:Vcc10
- 18:Vcc10
- 19:GND
- 20:GND
- 21:Iu2
- 22:Iv2
- 23:Iu2
- 24:Iv2
- 25:Vw2
- 26:Vw2
- 27:Temp2
- 28:GND
- 29:Iu3
- 30:Iv3
- 31:Iv3
- 32:Iv3
- 33:Iv3
- 34:Vw3
- 35:Temp3
- 36:GND
- 37:RSV9
- 38:RSV10
- 39:RSV11
- 40:RSV12



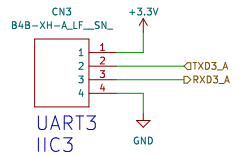
3pin PE04, TXD0_B, SDA0
2pin PE03, RXD0_B, SCL0

UART0
IIC0



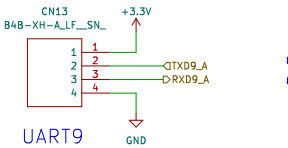
82pin PD01, TXD3_C, SDA3, CANTX0-rev
81pin PD00, RXD3_C, SCL3, CANRX0-rev

UART3
IIC3
CAN-rev



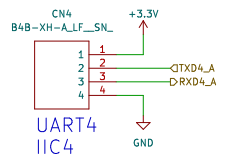
5pin PE06, TXD3_A, SDA3
4pin PE05, RXD3_A, SCL3

UART3
IIC3



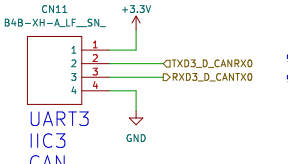
86pin PD05, TXD9_A, SDA9, SDA1_B
87pin PD06, RXD9_A, SCL9, SCL1_B

UART9
IIC9



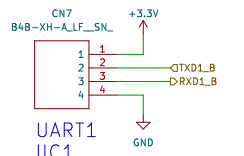
47pin PB10, TXD4_A, SDA4
46pin PE15, RXD4_A, SCL4

UART4
IIC4



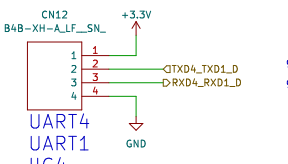
91pin PB05, TXD3_D, SDA3, CANRX0
90pin PB04, RXD3_D, SCL3, CANTX0

UART3
IIC3
CAN



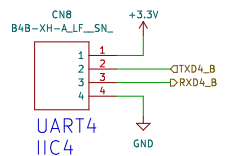
78pin PC10, TXD1_B, SDA1, SCL0-rev
79pin PC11, RXD1_B, SCL1, SDA0-rev

UART1
IIC1
IIC0-rev



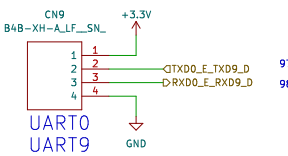
96pin PB09, TXD4, SDA4, TXD1_D, SDA1, CANTX0-rev
95pin PB08, RXD4, SCL4, RXD1_D, SCL1, CANRX0-rev

UART4
UART1
IIC4
IIC1
CAN-rev



80pin PC12, TXD4_B, SDA4
83pin PD02, RXD4_B, SCL4

UART4
IIC4



97pin PE00, TXD0_E, SDA0, TXD9_D, SDA9
98pin PE01, RXD0_E, SCL0, RXD9_D, SCL9

UART0
UART9
IIC0
IIC9

Desk Top Laboratories Inc

Sheet: /DTL_IC3_Interface/

File: ICS_interface.kicad_sch

Title: T5223 / T6223 RA6T2 CPU card

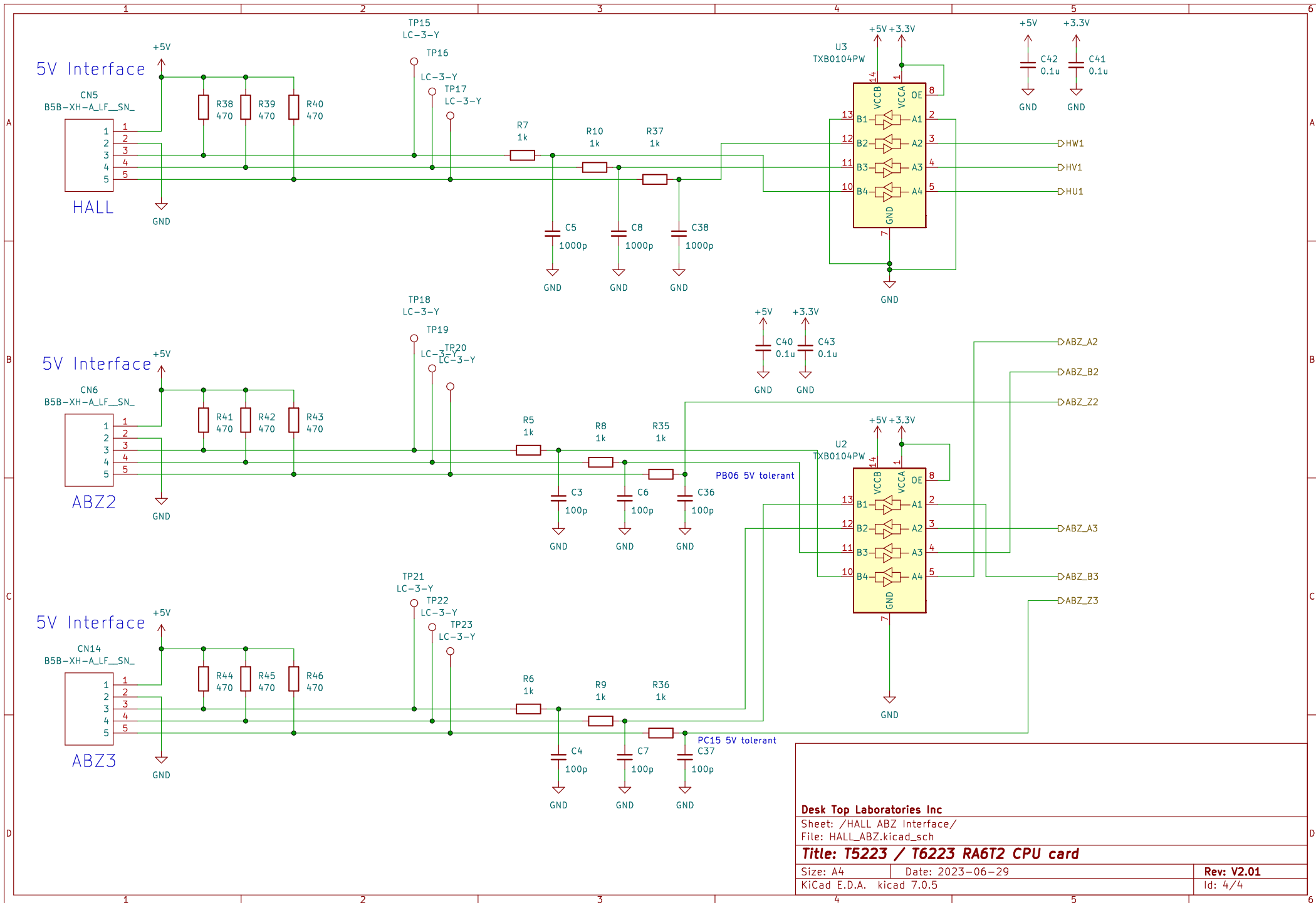
Size: A3

Date: 2023-06-29

Rev: V2.01

KiCad E.D.A. kicad 7.0.5

Id: 3/4



Desk Top Laboratories Inc

Sheet: /HALL ABZ Interface/
 File: HALL_ABZ.kicad_sch

Title: T5223 / T6223 RA6T2 CPU card

Size: A4 Date: 2023-06-29

KiCad E.D.A. kicad 7.0.5

Rev: V2.01

Id: 4/4